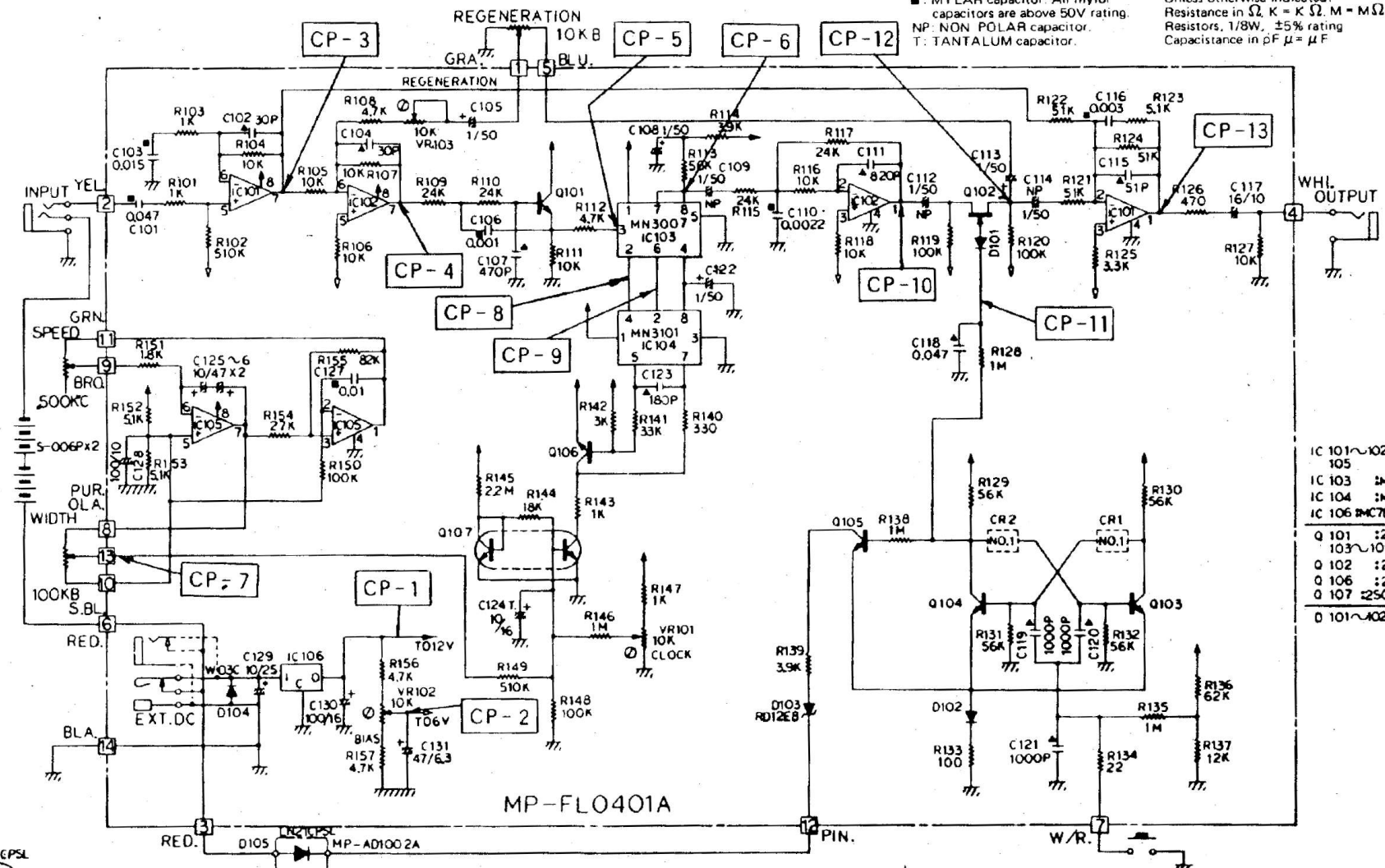
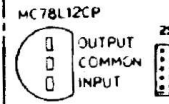
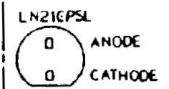


NOTE  
 ▲ CERAMIC capacitor. All ceramic capacitors are above 25V rating.  
 ■ MYLAR capacitor. All mylar capacitors are above 50V rating.  
 NP: NON POLAR capacitor.  
 T: TANTALUM capacitor.

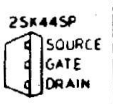
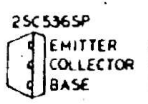
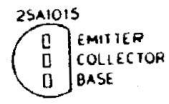
And all capacitors are ELECTROLYTIC capacitors, unless otherwise indicated. Unless otherwise indicated. Resistance in  $\Omega$ , K = K  $\Omega$ , M = M  $\Omega$ . Resistors, 1/8W,  $\pm 5\%$  rating. Capacitance in pF =  $\mu F$ .



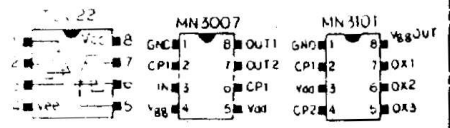
- IC 101~102: TL022
- IC 103 : MN3007
- IC 104 : MN3101
- IC 106 : MC78L12CP
- Q 101 : 2SC536
- 103~105 : SP
- Q 102 : 2SK44SP
- Q 106 : 2SA015
- Q 107 : 2SC1583F
- D 101~102: MA150



BOTTOM VIEW



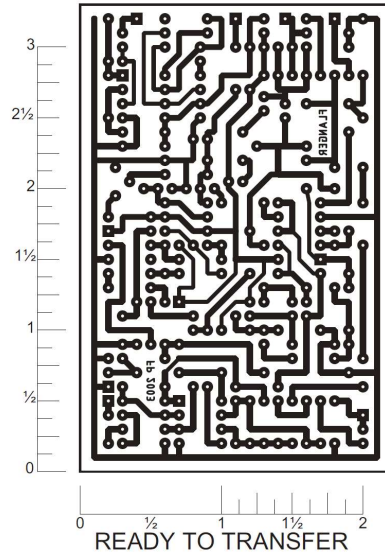
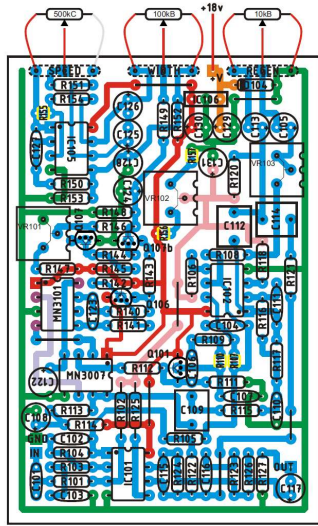
TOP VIEW



# TRESCIENTOS UNO FLANGER

Rev.2.Oct.18.2003

Build Ibanez FL301. This circuit runs on +18VDC. Parts designations refer to the factory schematic. Off board components except for the potentiometers are not shown on the layout. Trademarks are property of their owners.



Layout and presentation by Francisco Peña 2001-2003®.  
All rights reserved. Authorization for personal use only,  
any commercial use is forbidden.  
Permission for posting/serving limited to  
<http://www.tonepad.com>  
Permission refused for posting from other sites.

## Parts List

### Resistors

- R101 - 1K
- R102 - 510K
- R103 - 1K
- R104 - 10K
- R105 - 10K
- R106 - 10K
- R107 - 10K
- R108 - 4.7K
- R109 - 24K
- R110 - 24K
- R111 - 10K
- R112 - 4.7K
- R113 - 56K
- R114 - 3.9K
- R115 - 24K
- R116 - 10K
- R117 - 24k
- R118 - 10K
- R120 - 100K
- R121 - 51K
- R122 - 51K

### Resistors

- R123 - 5.1k
- R124 - 51k
- R125 - 3.3k
- R126 - 470 ohm
- R127 - 10k
- R140 - 330 ohm
- R141 - 33k
- R142 - 3k
- R143 - 1k
- R144 - 18k
- R145 - 2.2M

### Resistors

- R146 - 1M
- R147 - 1k
- R148 - 100k
- R149 - 510k
- R150 - 100k
- R151 - 1.8k
- R152 - 5.1k
- R153 - 5.1k
- R154 - 27k
- R155 - 82k
- R156 - 4.7k
- R157 - 4.7k

### Transistors

- Q101 - 2N5088
- Q106 - 2N5087
- Q107 - 2N5088
- Q107b - 2N5088

### ICs

- IC101 - TL022
- IC102 - TL022
- IC103 - MN3007
- IC104 - MN3101
- IC105 - TL022
- IC106 - 12V Regulator

### Potentiometers

- 1 - 100k Lin.
- 1 - 500k RevLog.
- 1 - 10k Lin.

### Trim Pots

- VR101 - 10k
- VR102 - 10k
- VR103 - 10k

### Capacitors

- C101 - 0.047uf
- C102 - 30pf
- C103 - 0.015uf
- C104 - 30pf
- C105 - 1uf
- C106 - 0.001uf
- C107 - 470pf
- C108 - 1uf
- C109 - 1uf NP
- C110 - .0022uf
- C111 - 820pf
- C112 - 1uf NP
- C113 - 1uf
- C114 - 1uf NP
- C115 - 51pf
- C116 - 0.003uf

- C117 - 10uf
- C122 - 1uf
- C123 - 180pf
- C124 - 10uf
- C125 - 10uf
- C126 - 10uf
- C127 - 0.01uf
- C128 - 100uf
- C129 - 10uf
- C130 - 100uf
- C131 - 47uf

### Diodes

- D104 - 1N914